



KVM over IP Module

IPK-M03



1.1 Introduction

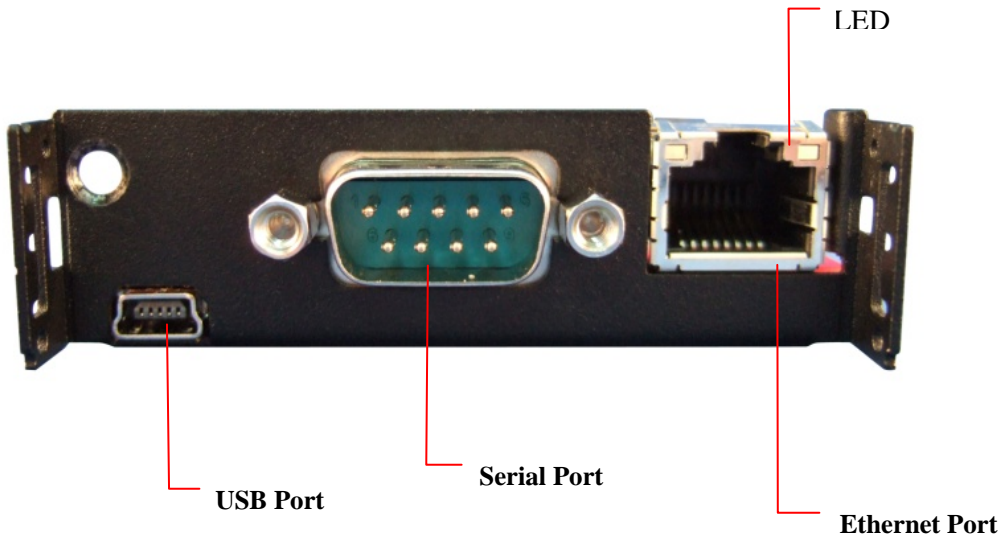
The KVM-over-IP (IP-KVM) redirects local keyboard, mouse and video data to a remote administration console. It allows you to control one or many computers locally at the server site or remotely via the Internet using a standard browser. You can securely gain BIOS level access to systems for maintenance, support, or failure recovery over the Internet. Communication is secure via SSL authentication and encryption. Use in conjunction with a KVM switch for multiple-server access.

The IP-KVM provides convenient, remote KVM access and control via LAN or Internet. It captures, digitizes, and compresses video signal and transmits it with keyboard and mouse signals to and from a remote computer. IP-KVM provides a non-intrusive solution for remote access and control. Remote access and control software runs on its embedded processors only but not on mission-critical servers, so that there is no interference with server operation or impact on network performance.

1.2 Main Feature

- Manage servers around the world
- Remote KVM (keyboard, video, and mouse) access over IP or analogous telephone line (modem needed)
- Full control under any OS, in BIOS level, during boot, or at Blue Screens
- No additional software necessary on client console side
- Remote power wakeup on the target computer
- Remote mass storage control and redirection
- Remote control over Java-enabled Browsers
- SSL Secure access through certificate authentication and data encryption
- SSL 256-bit encryption of all transmitted data
- RSA 1024-bit encryption
- Auto-optimize the frame rate and video quality according to the bandwidth availability
- Automatically senses video resolution for best possible screen capture
- High-performance mouse tracking and synchronization
- Interwork with most of KVM switches
- Firmware update via web interface

1.3 Product Views



LEDs on the Ethernet Connector:

Orange LED -- 10BaseT Ethernet connection established

Green LED -- 100BaseT Ethernet connection established

Blinking: data in activity

ON: no data in activity and link connected