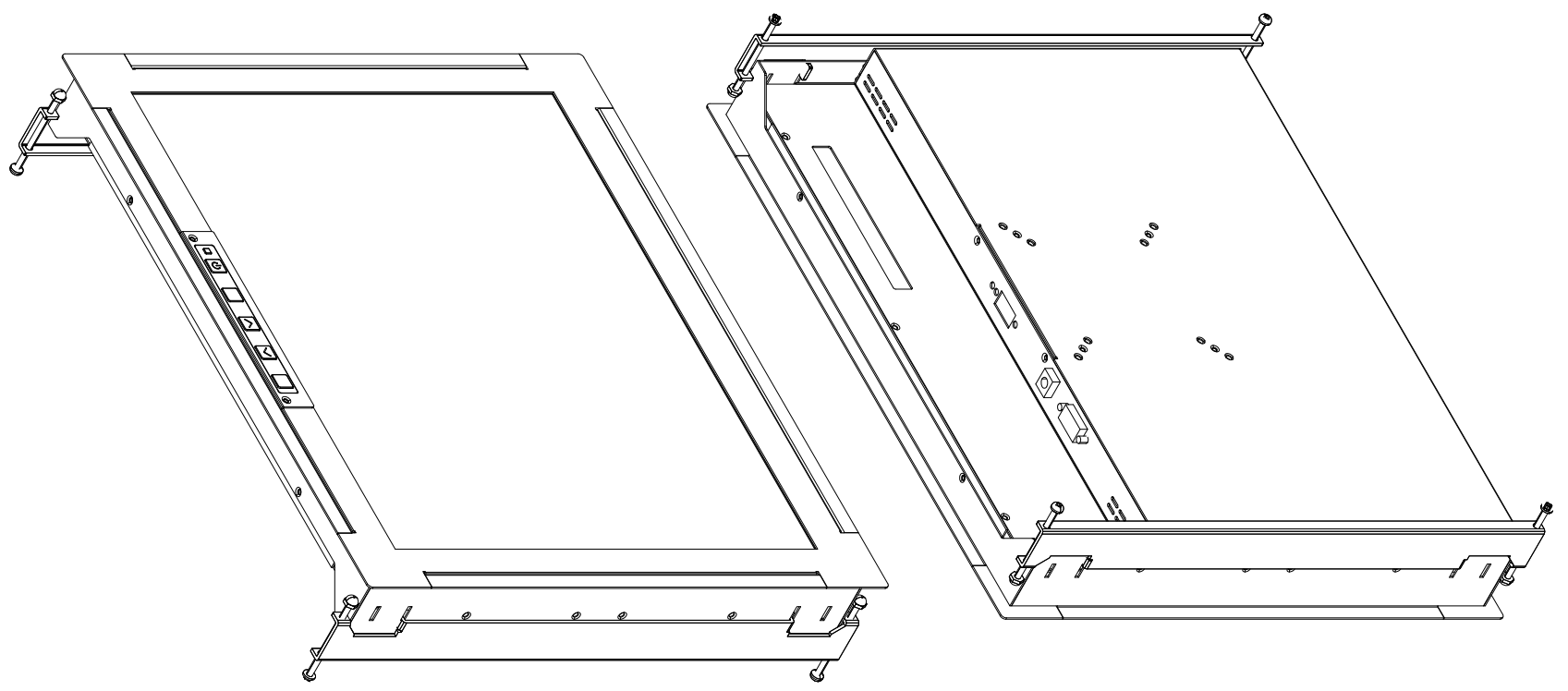
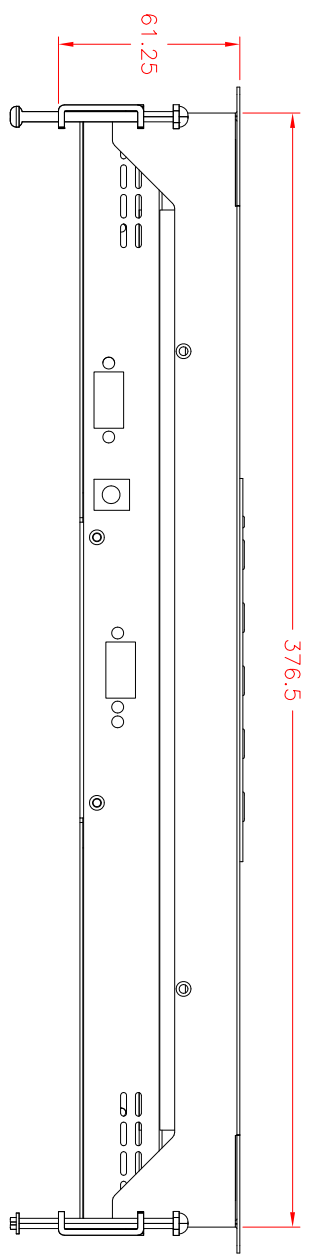
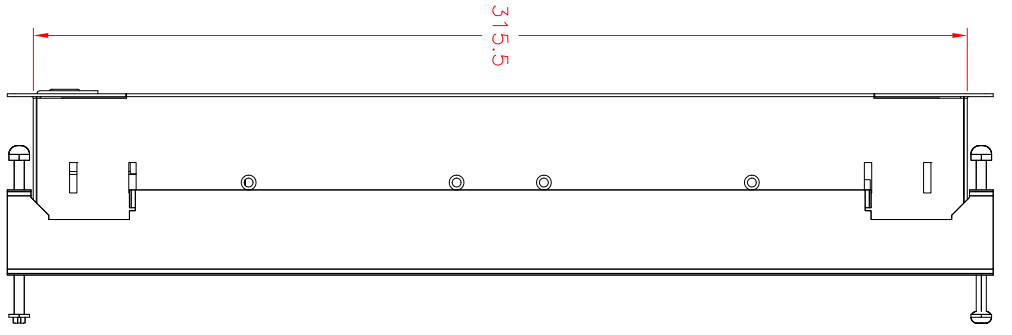
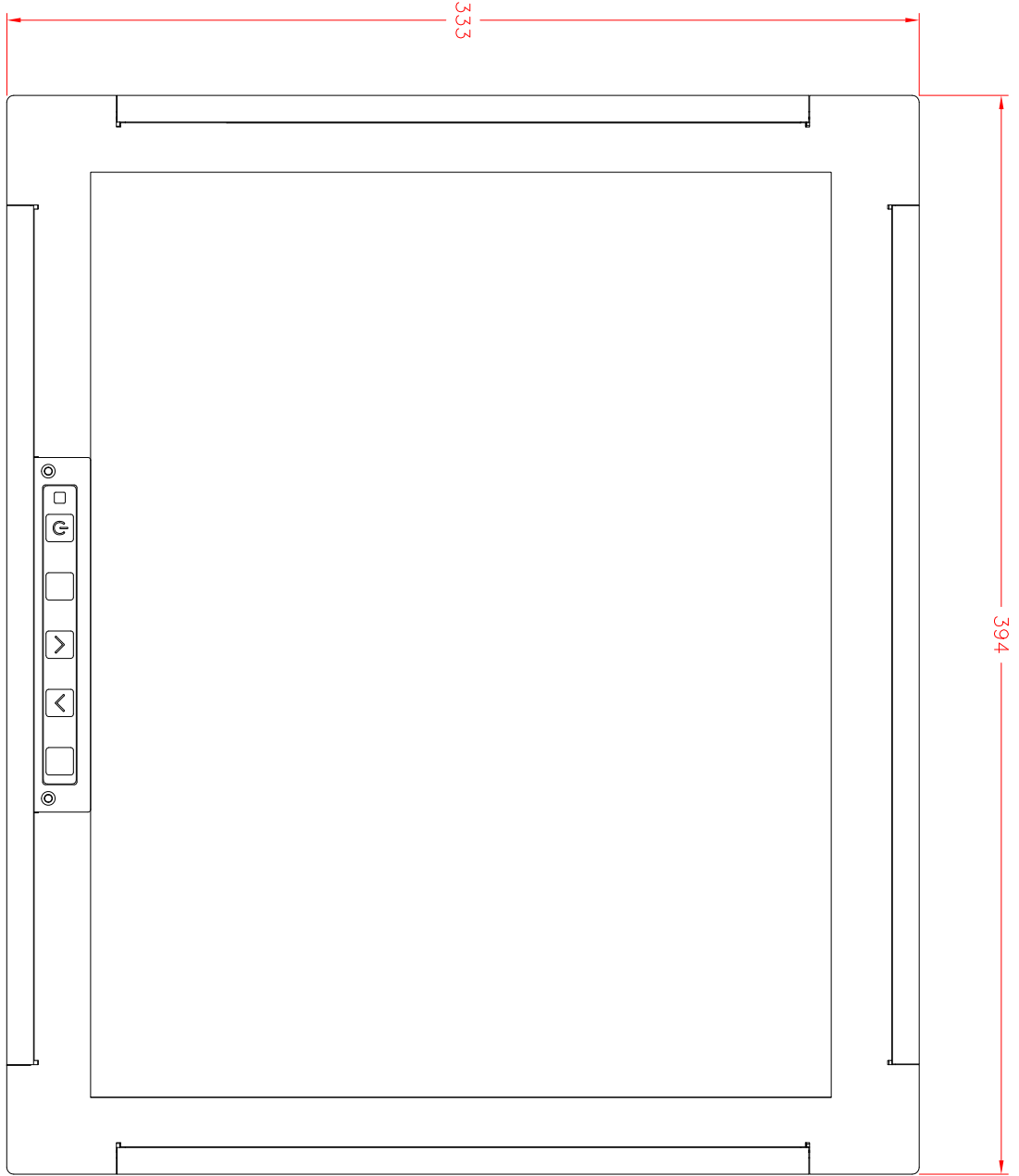


RevNo	Revision note	Date	Signature	Checked
1				
2				
3				
4				
5				
6				
7				
8				



Itemref	Quantity	Title/Name, designation, material, dimension etc	Article No./Reference
Designed by xxx	Checked by	Approved by - date - 2013/05/25	Date 2013/05/25
		Filename XXX	Scale 0:0

ATN



Atlas Top Net Co., Ltd

www.atlastopnet.com

Edition
0

Sheet
1/1

